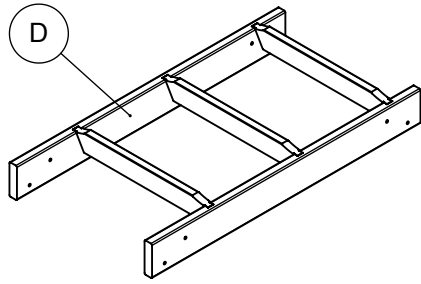
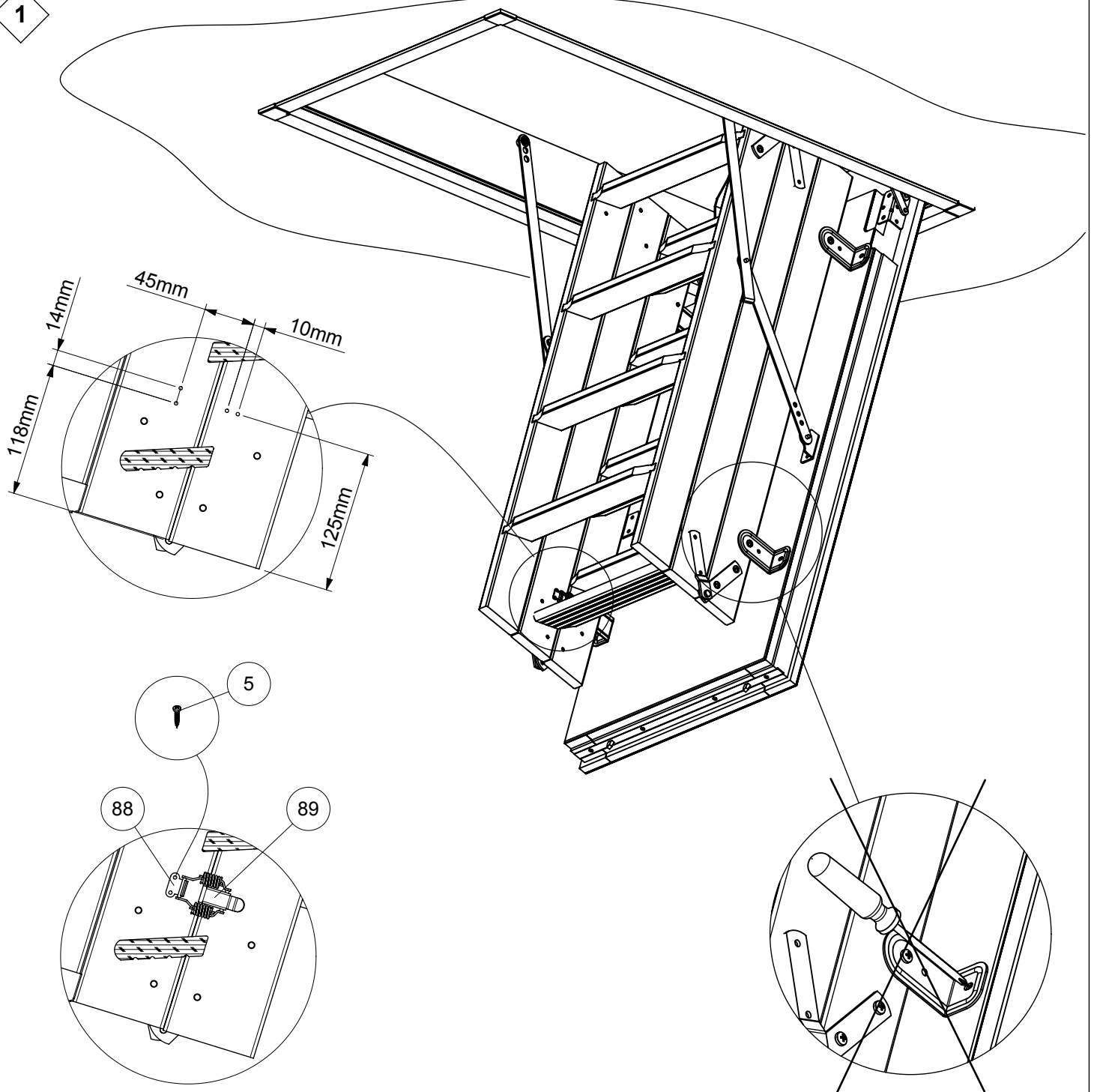


IMPORTANT:
 WHERE FLOOR TO CEILING HEIGHT IS GREATER THAN 3 m
 RELEASING THE SAFETY CATCH WHILST SUPPORTING,
 THE LADDER MAY BE DIFFICULT.
 IN THIS CASE WE COULD RECOMMEND THE USE OF
 A SMALL STEP LADDER FOR SAFE OPERATION

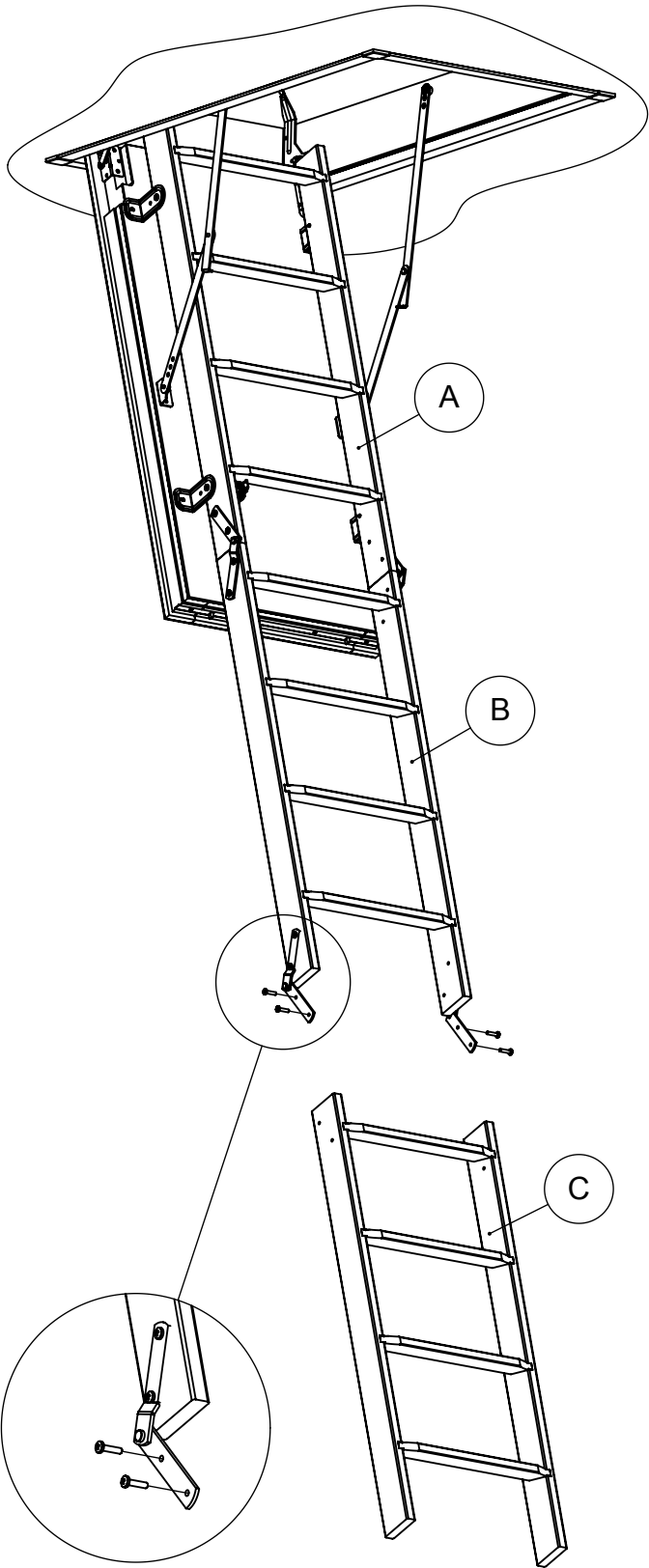


5 R1-63210 Ø3 x 16		13 K2-22000	
14 R1-63129 M6 x 25		32 R1-63221 Ø4 x 20	48 H2-99406
		88 R1-63101	89 R1-63101

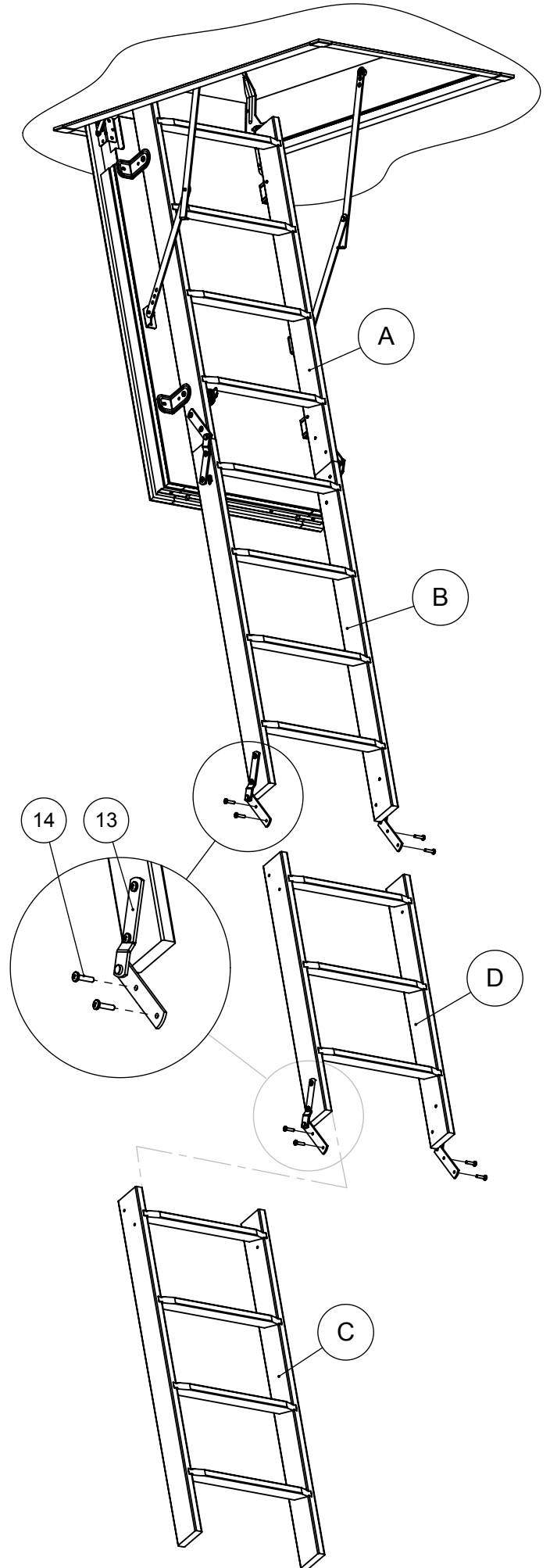
1

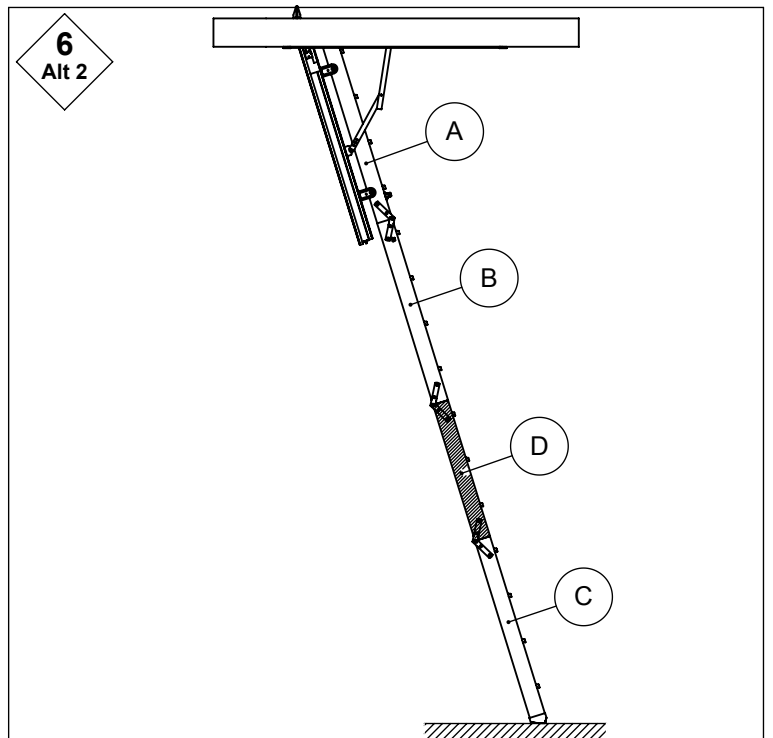
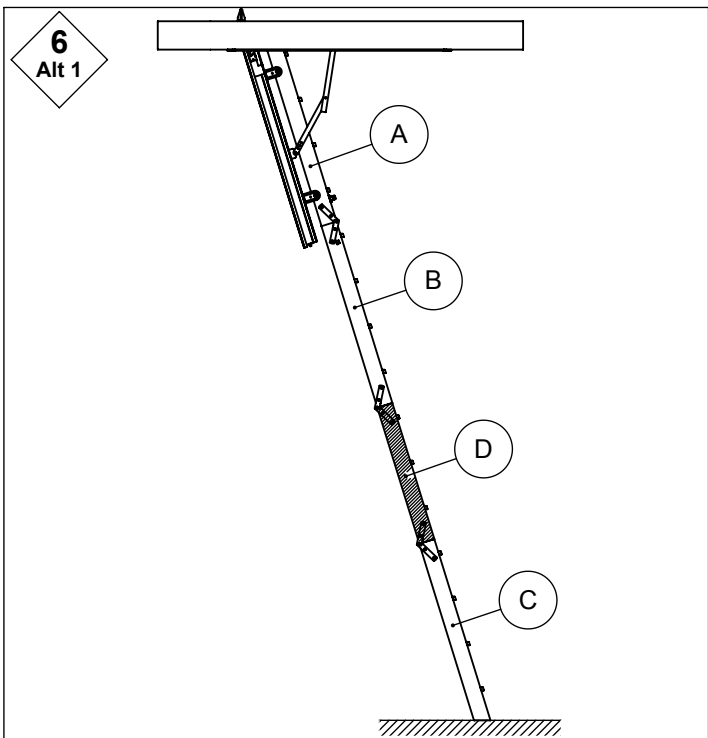
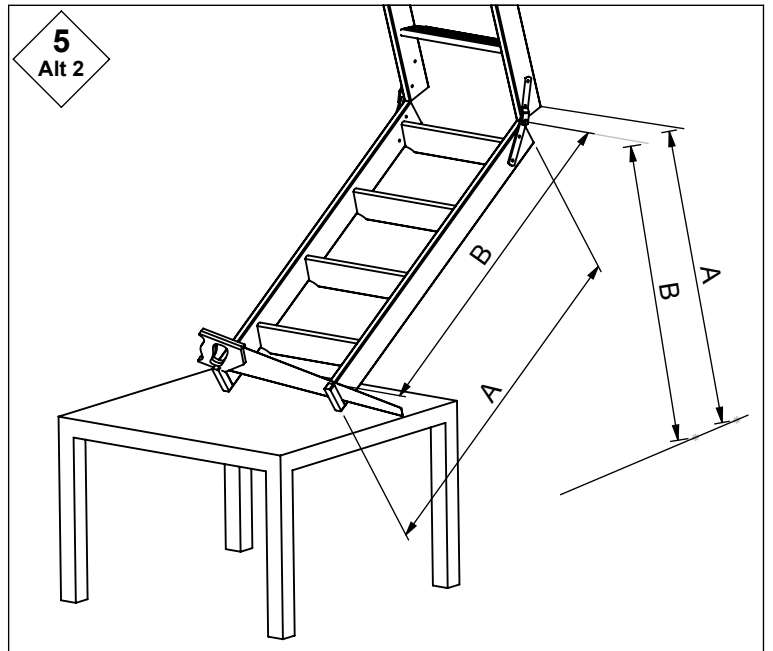
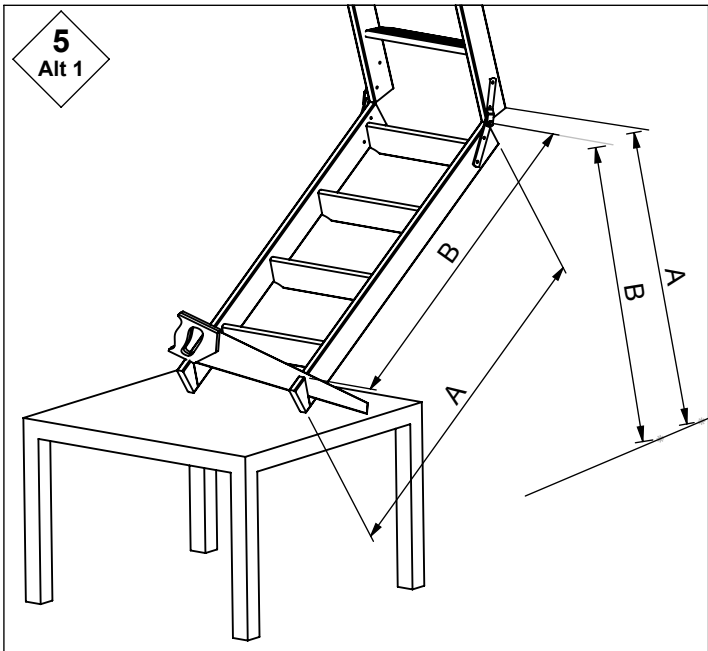
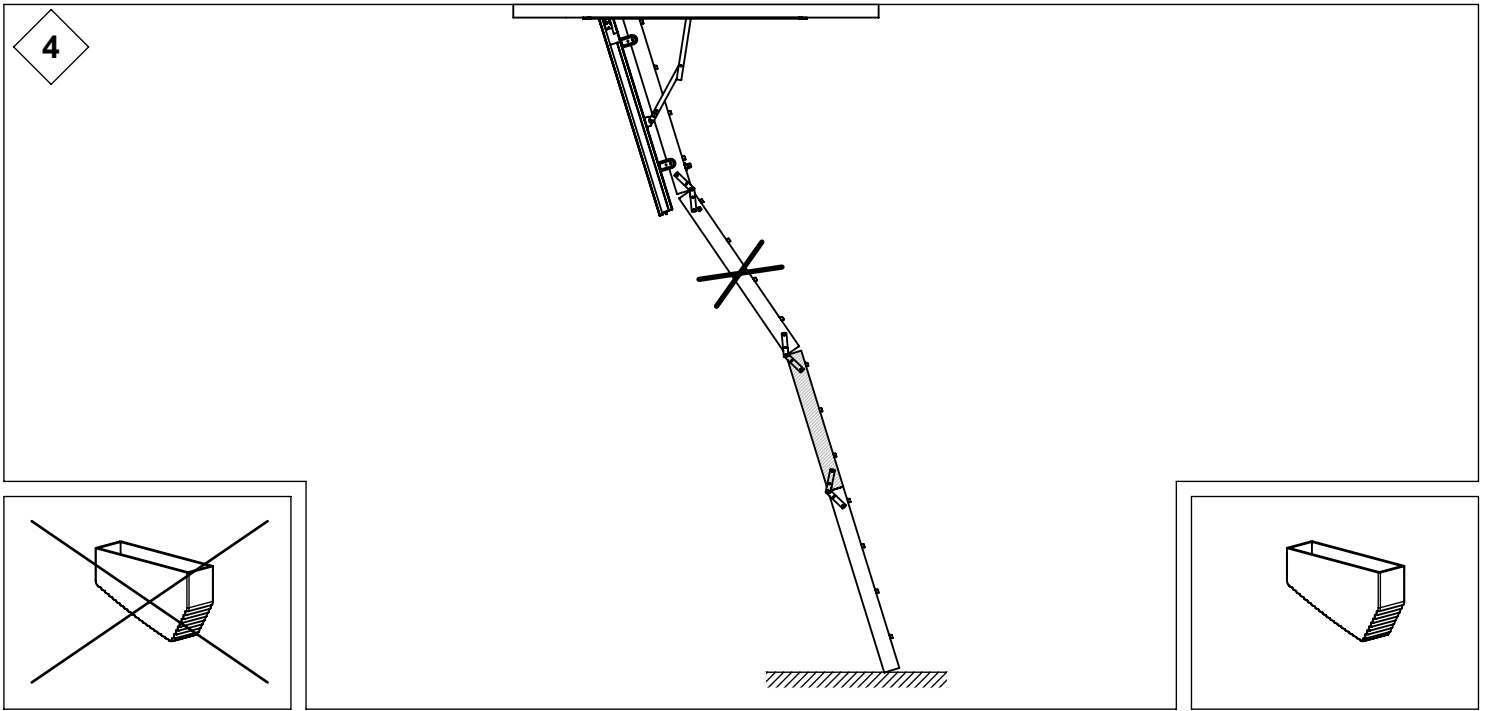


2

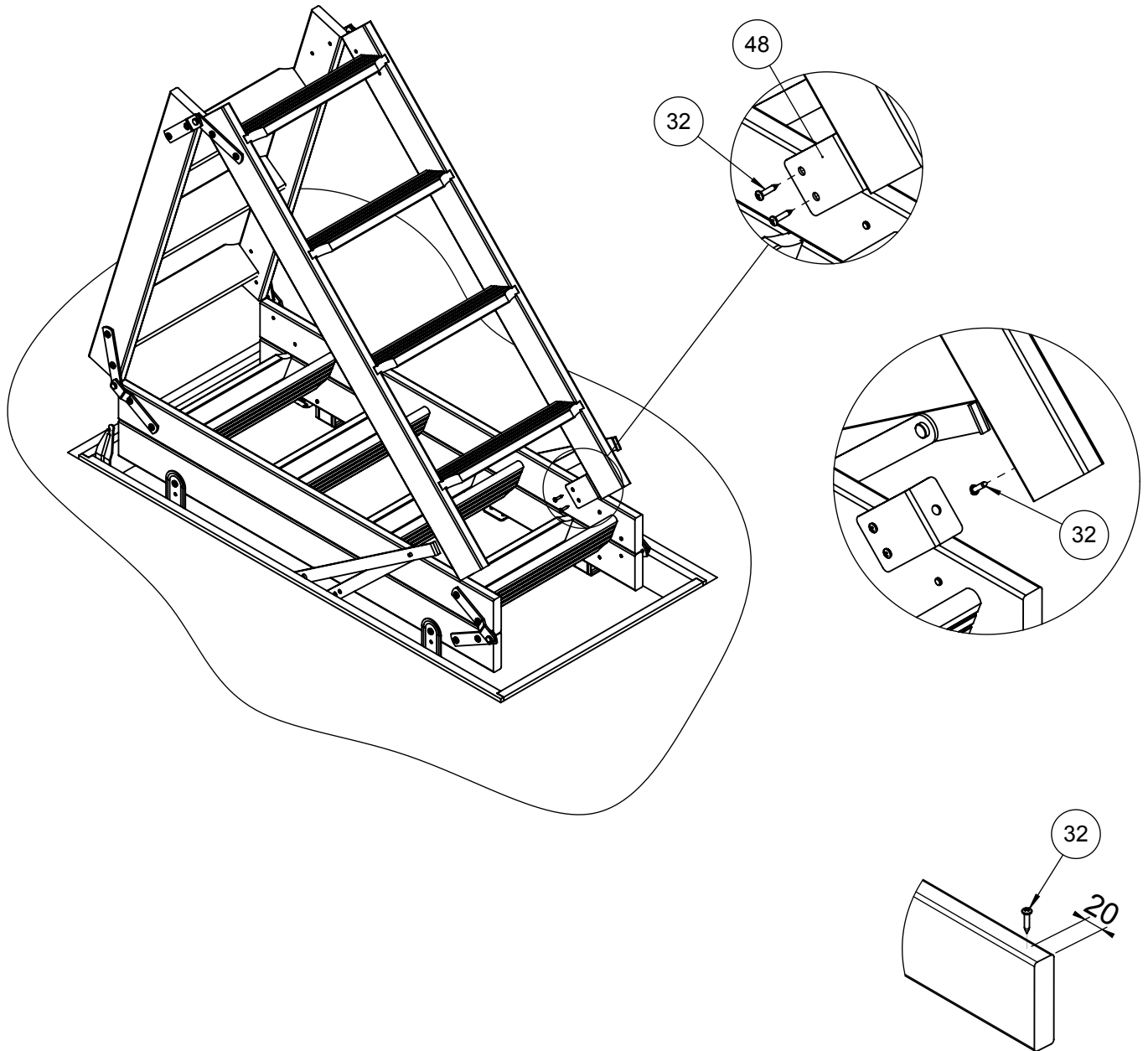


3





7



OPERATION INSTRUCTIONS

Always follow the follow sequences:

1. Open the trapdoor using the pole provided.
2. Disengage the bottom section from the locking plate.
3. Disengage the safety lock that secures the first 2 ladder sections.
4. Unfold the ladder to the floor by holding both legs with a good grip.
5. To fold and close you loft ladder, follow the above mentioned sequences in reverse.